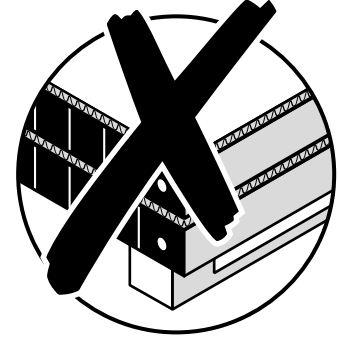
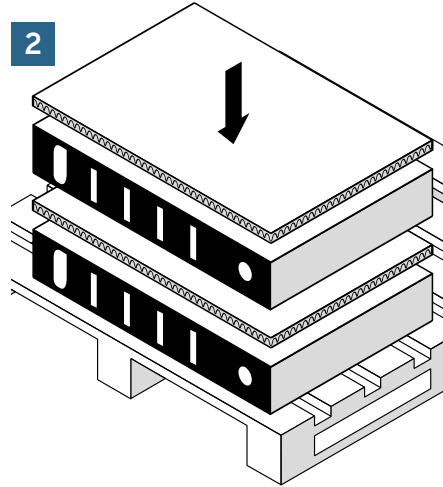
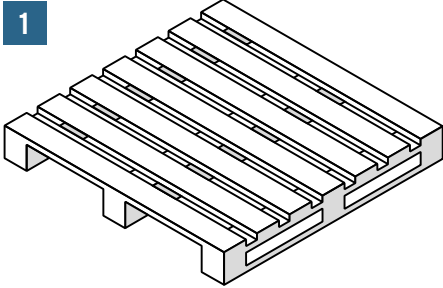


## Guidance for packing networking equipment **SERVERS**

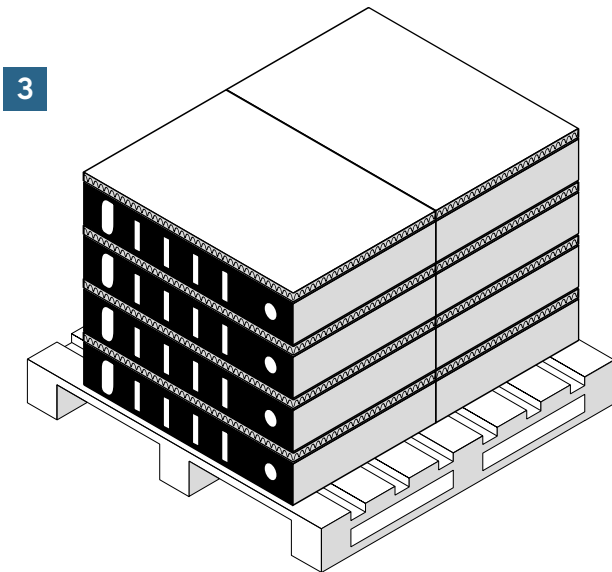
### SAFETY FIRST

Always ensure that appropriate PPE is worn and work in a clutter-free area to prevent slips, trips and falls.

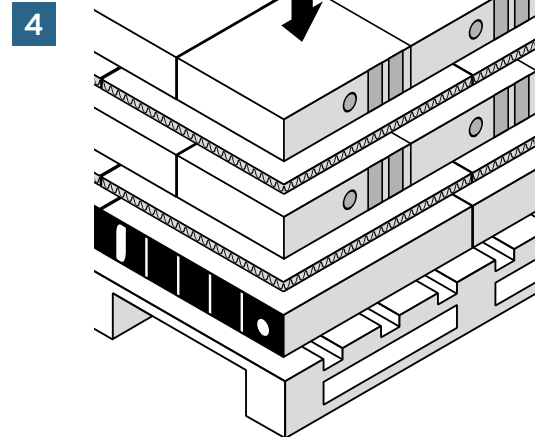


■ Be careful! Units shouldn't overhang the edges of the pallet.

■ Stack rail free servers onto the pallet with a layer of bubble wrap or cardboard between each layer.

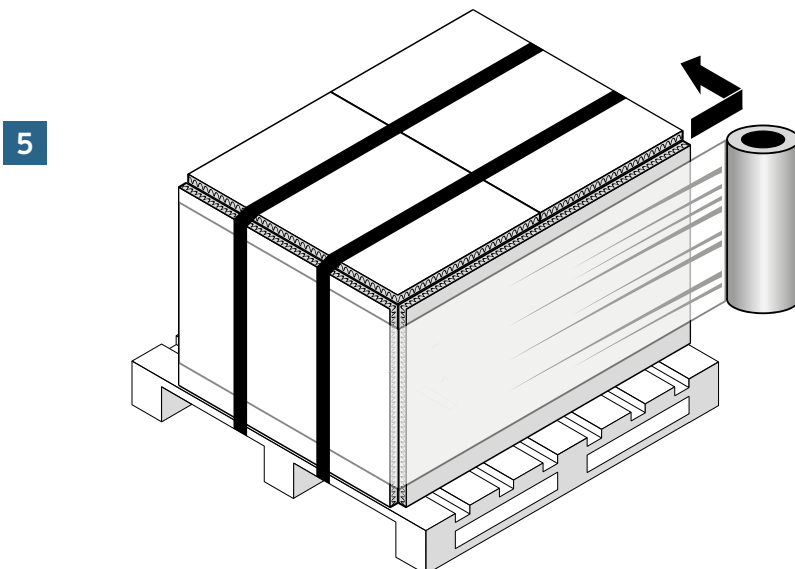


■ Place cardboard or air pockets between stacks. Servers should be packed no more than 150cm (5ft) high.



■ Units of varying sizes should be packed with the largest units at the bottom. Total pallet weight should not exceed 700kg.

■ Rails and loose items should be placed in a cardboard box and added to the pallet or packed separately.



■ Once all units are stacked, protective cardboard corners and cardboard sheets should be placed around the units.

Shrink wrap and banding straps must be used to secure material.

**When possible please reuse or recycle packaging materials**

[simsrecycling.com/reuse/logistics](https://simsrecycling.com/reuse/logistics)

Now all you need to do is label your pallet and book a collection!

Packing something different?  
Contact your SLS representative for more advice.