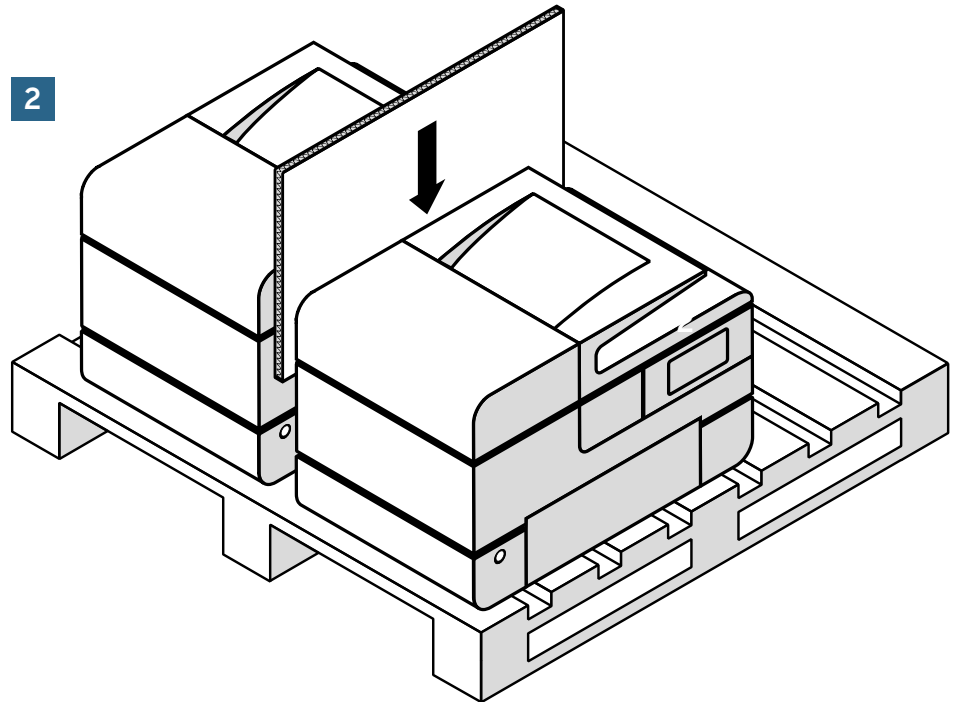
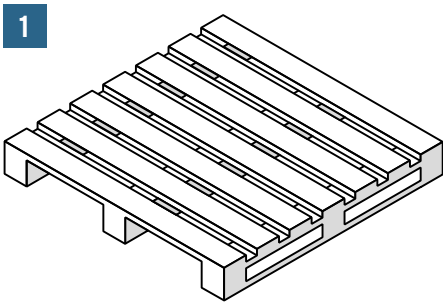


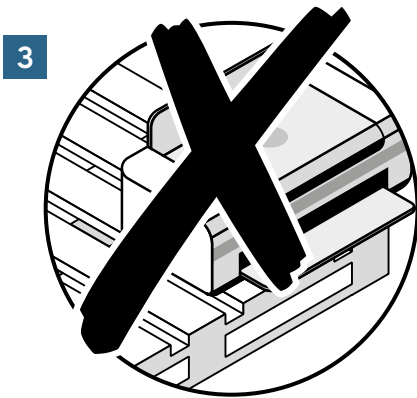
## Guidance for packing desktop equipment **PRINTERS**

You will need;

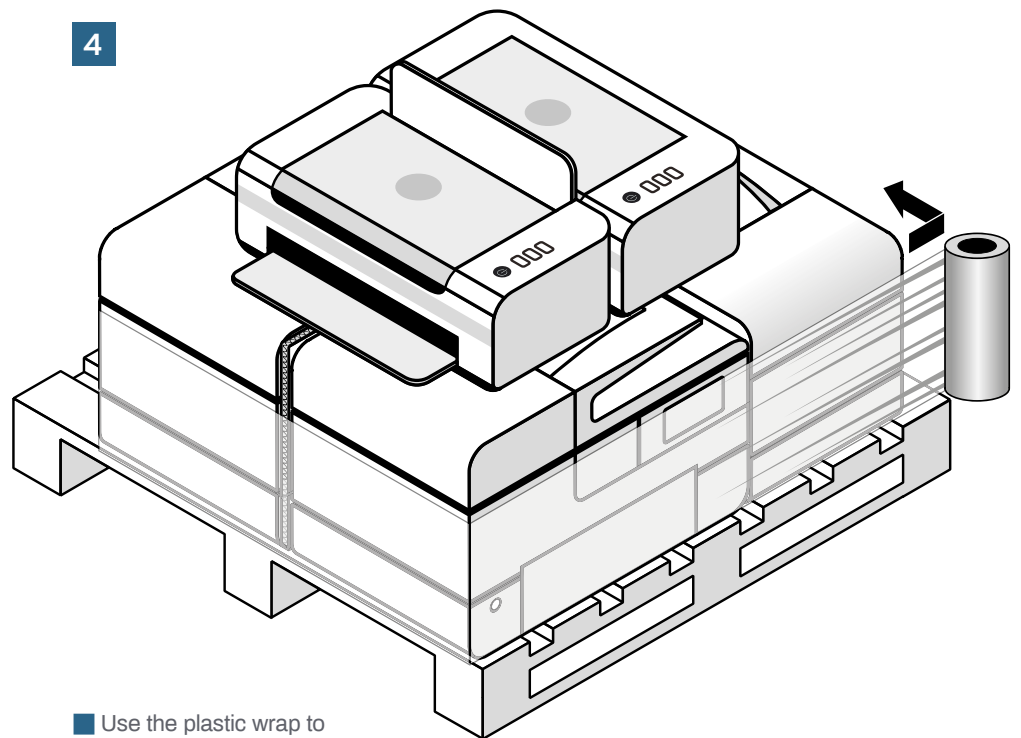
- A pallet or pallets
- Cardboard sheets
- Plastic wrapping & wrapping tool



■ Start with the largest printers.  
Place your first layer of printers on the pallet, separating each printer with a cardboard sheet.



■ Nothing should overhang the edges of the pallet.



■ Use the plastic wrap to secure the printers to the pallet.

**When possible please reuse or recycle packaging materials**

[simsrecycling.com/reuse/logistics](https://simsrecycling.com/reuse/logistics)

Now all you need to do is label your pallet and book a collection!

Packing something different?  
Contact your SLS representative for more advice.