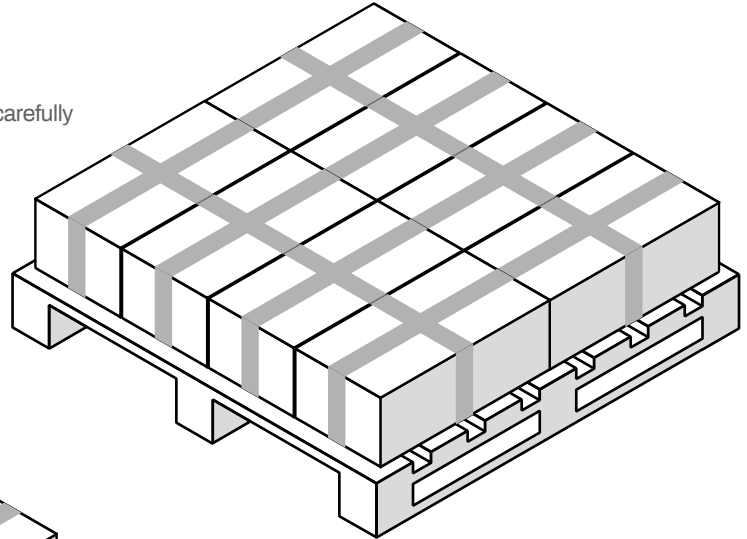


# Guidance for packing BOXES ONTO PALLETS

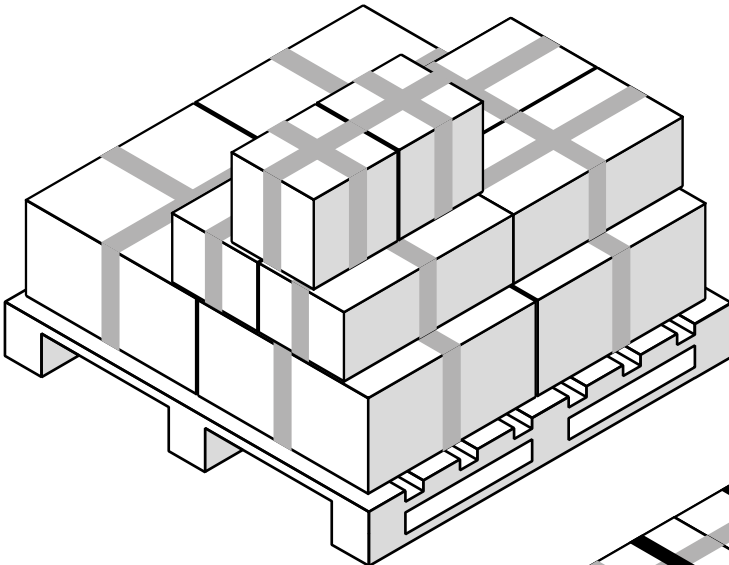
## SAFETY FIRST

Always ensure that appropriate PPE is worn and work in a clutter-free area to prevent slips, trips and falls.

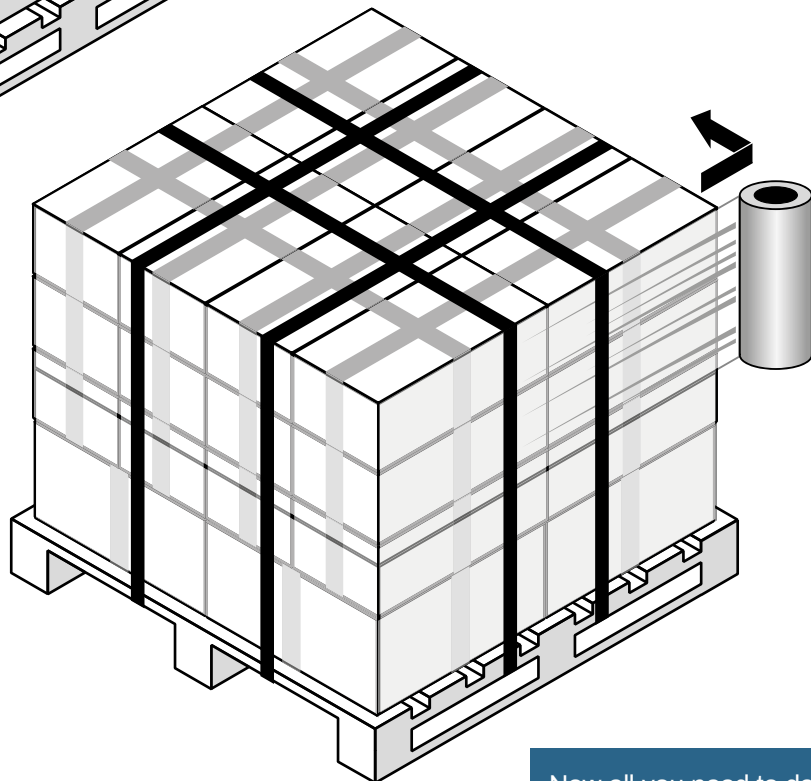
- 1** ■ Boxes should be carefully stacked onto pallets.



- 2** ■ Boxes of varying sizes should be packed with the largest boxes at the bottom. Total pallet weight should not exceed 700kg.



- 3** ■ Once all boxes are stacked they should be shrink wrapped and secured with banding straps. Where boxes do not form a uniform shape take extra care when wrapping and banding to avoid damage.



Now all you need to do is label your pallet and book a collection!  
Packing something different?  
Contact your SLS representative for more advice.

**When possible please reuse or recycle packaging materials**

[simsrecycling.com/reuse/logistics](https://simsrecycling.com/reuse/logistics)