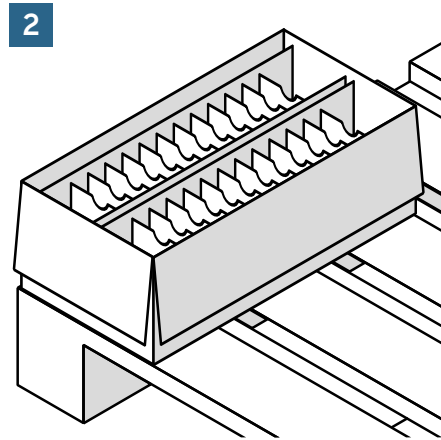
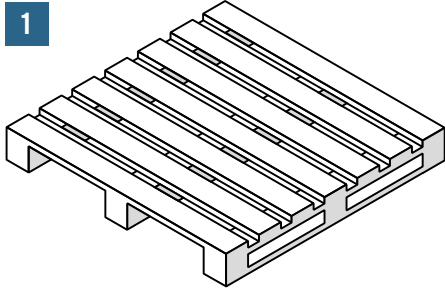


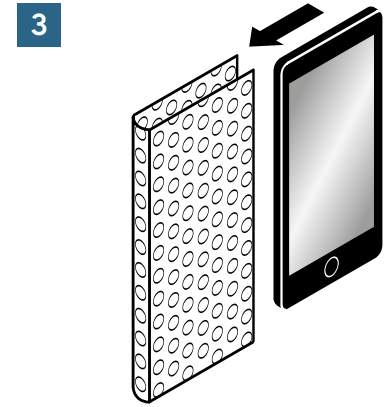
Guidance for packing MOBILE PHONES

You will need;

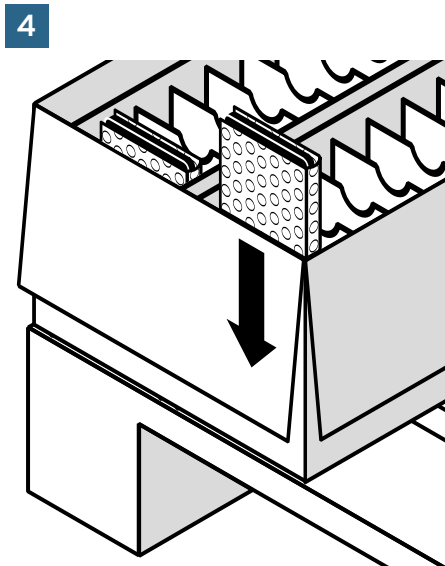
- A pallet or pallets
- Cardboard packing boxes
- Bubble wrap
- Packing tape
- Plastic wrap



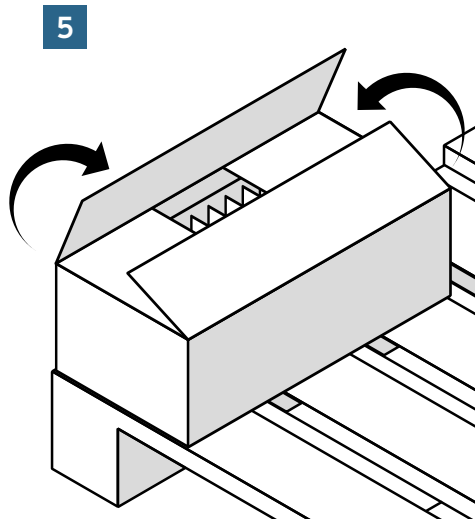
■ Place your first layer of boxes on your pallet.



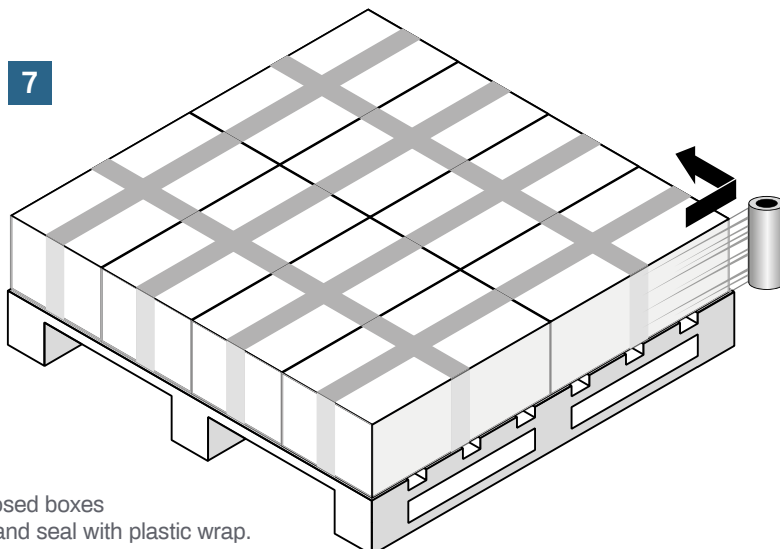
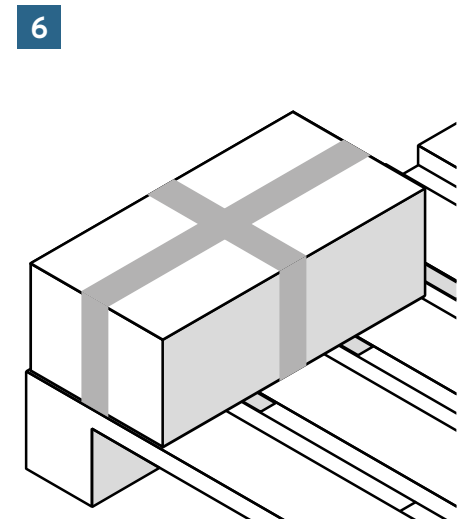
■ Wrap each mobile phone in bubble wrap.



■ Place each wrapped mobile phone into the box, one per section.



■ Close the box and seal with tape.



■ Stack the closed boxes onto the pallet and seal with plastic wrap.

When possible please reuse or recycle packaging materials

simsrecycling.com/reuse/logistics

Now all you need to do is label your pallet and book a collection!

Packing something different?
Contact your SLS representative for more advice.