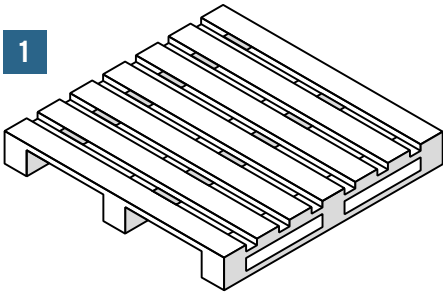


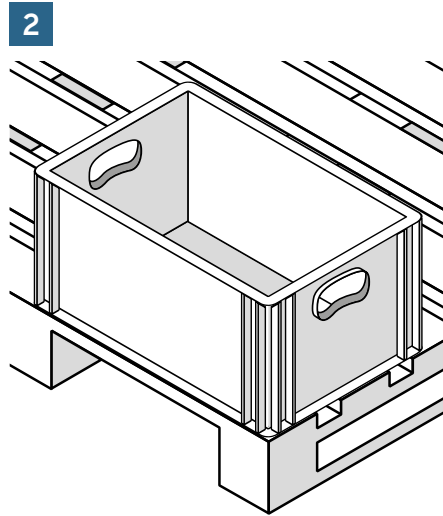
Guidance for packing desktop equipment FLATSCREEN MONITORS

You will need;

- A pallet or pallets
- Polypropylene monitor packing trays
- Cardboard sheets
- Plastic wrap

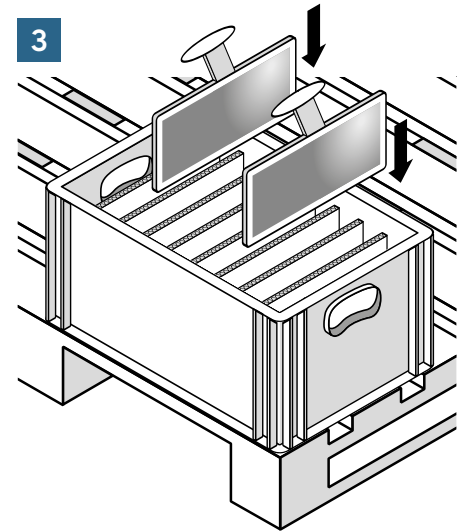


1



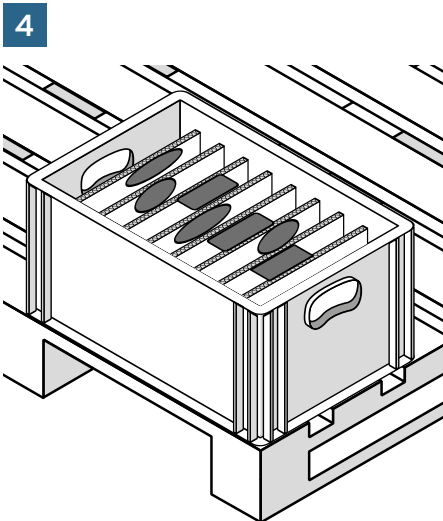
2

Place your first layer of trays on your pallet.

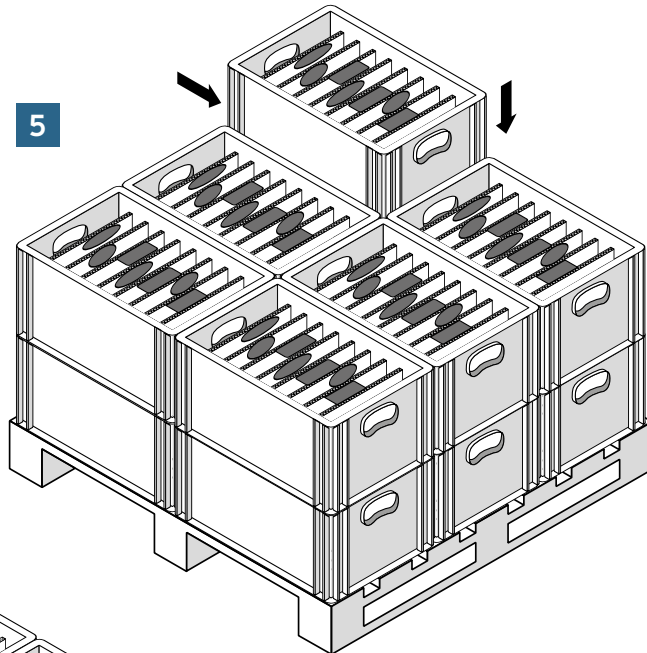


3

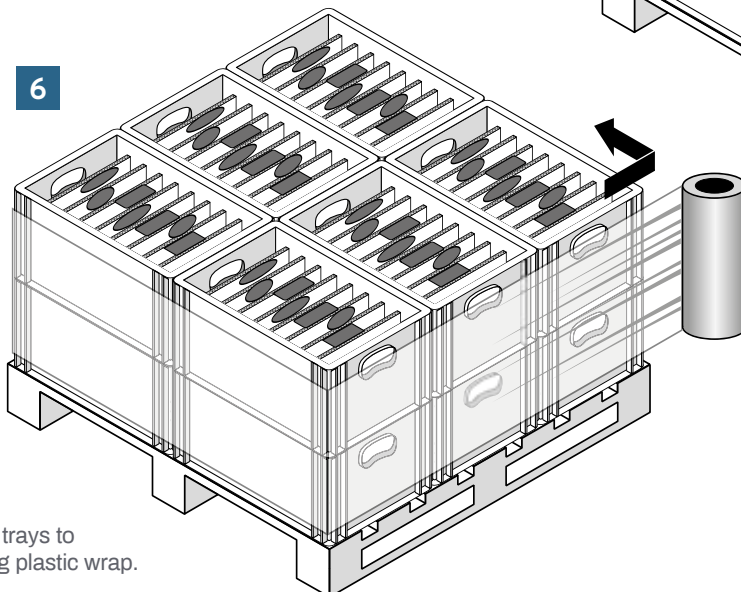
Place each monitor in the tray, with stand at the top. Place cardboard sheets between each monitor. This helps to avoid scratching in transit.



4



5



6

Secure the trays to the pallet using plastic wrap.

When possible please reuse or recycle packaging materials

simsrecycling.com/reuse/logistics

Now all you need to do is label your pallet and book a collection!

Packing something different? Contact your SLS representative for more advice.