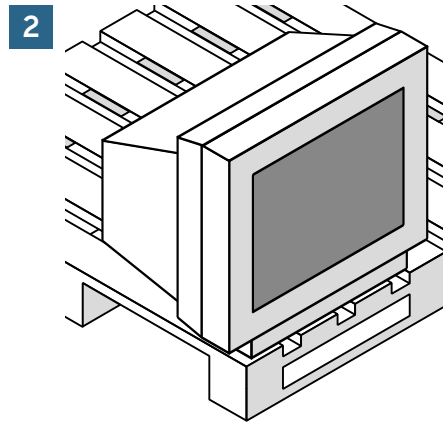
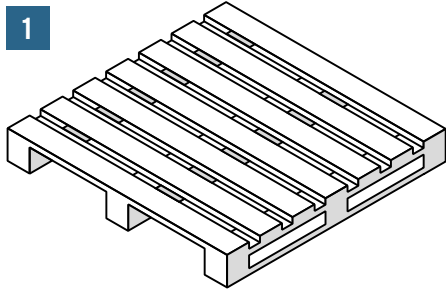


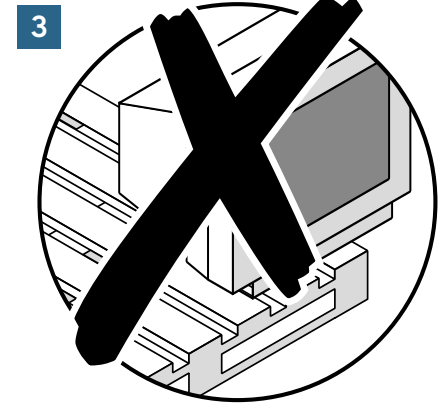
Guidance for packing desktop equipment CRT MONITORS

You will need;

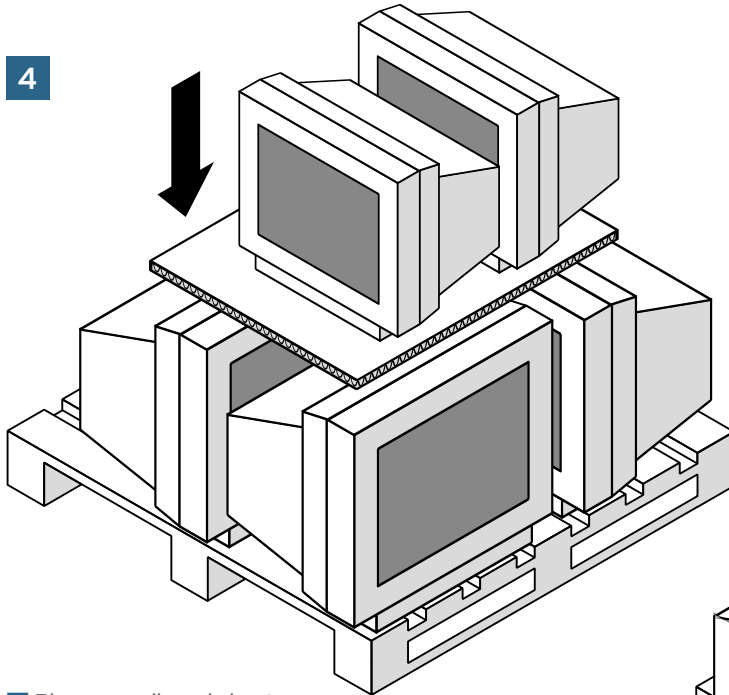
- A pallet or pallets
- Cardboard sheets
- Plastic wrapping & wrapping tool
- Strapping & strapping tool



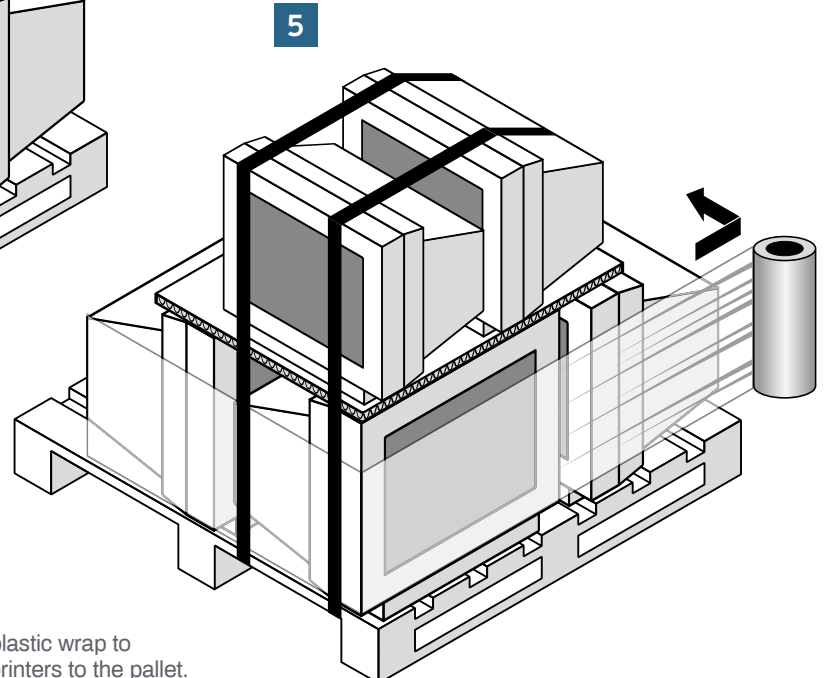
■ Start with the largest monitors. Place your first layer of monitors on the pallet.



■ Nothing should overhang the edges of the pallet.



■ Place a cardboard sheet between each layer. Pallets should be stacked up to 9 units per layer and no more than 3 layers high.



■ Use the plastic wrap to secure the printers to the pallet. Where possible, pallets should also be banded.

When possible please reuse or recycle packaging materials

simsrecycling.com/reuse/logistics

Now all you need to do is label your pallet and book a collection!

Packing something different?
Contact your SLS representative for more advice.